

## Crane scale

Crane scale valid for legal metrology

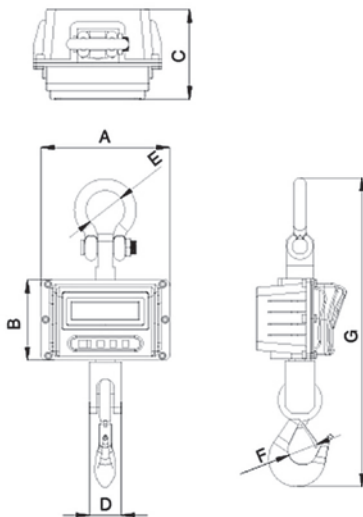


**FEATURES:**

- Valid for legal metrology.
  - Crane scale with aluminium framework.
  - Chromed crane scale and eyebolt.
  - LED display with 5 digits of 30 mm
  - Crane scale rotation: 180° in axis X, 360° in axis Y.
  - Power supply AC/DC adapter 100-240Vac 50-60 Hz.
  - Rechargeable internal batteries 6V/10Ah. 60 hours batterie life.
  - It allows working directly with power supply, without batterie connected.
  - Charge signal.
  - Low battery sign.
  - Control of functions, calibration and switch off with remote control.
  - Calibration with remote control (only without verification).
  - Maximum distance of the remote control: 20 m.
  - Units: kg.
  - Stand by with remote control.
- According to the directive of security of the machine 2006/42/CE.

**FUNCTIONS:**

- Zero
- Tare
- X10
- Standby



Dimensions (mm)	A	B	C	D	E	F	G
260874	265	170	195	60	55	40	613
260875	300	190	230	75	76	45	740
260876	300	190	230	95	80	50	860

Code #	Capacity (kg)	Readout (g)	Weight (kg)
260874	1500	500	14
260875	3000	1000	18
260876	6000	2000	23

Certifications			
Homologation M		ENAC	
Code #		Code #	
900021		900004	
900022		900004	
900023		900045	