

## Crane scale

Crane scale with aluminum structure. It is a light crane scale so that its transport is easy. Capacities from 300 kg to 1000 kg



BAT



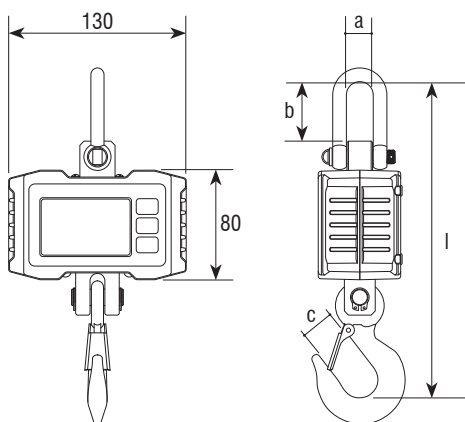
NO VERIF

### FEATURES:

- LCD retro illuminated display with digits of 22 mm.
- Standby function and auto switch off.
- It works with batteries. It includes 3 batteries 1,5 AA.
- It has autonomy of 65 hours.
- Low battery sign.
- Remote control not included.
- Units: kg and lb.
- According to the directive of security of the machine 2006/42/CE.

### FUNCTIONS:

- Zero
- Tare
- Hold (to set weigh)



Dimensions (mm)	a	b	c	l	Net weight (kg)
260531	20	43	22	225	1,2
260532	20	43	22	225	1,2
260530	20	43	24	235	1,3

Code #	Capacity (kg)	Readout (kg)	n Divisions	Packing dimensions (mm)	Packing weight (kg)
260531	300	100	3000	275x180x115	1,5
260532	500	200	2500	275x180x115	1,5
260530	1000	500	2000	275x180x115	1,5

Certifications	
ENAC	
Code #	
900002	
900003	
900003	