

# Weighing pallet truck

Stainless steel pallet truck with GI410 LCD indicator and optional printer



**FEATURES:**

- Pallet truck weigher. In EC-M approved version also available.
- Built in Stainless steel.
- With load cells IP68.
- Nylon wheels with a polyurethane outer Shell.
- 2 versions:
  - Without printer.
  - With printer.

**GI410i LCD INDICATOR:**

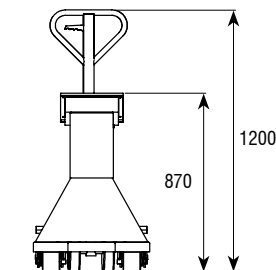
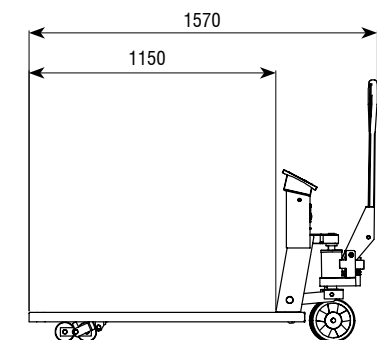
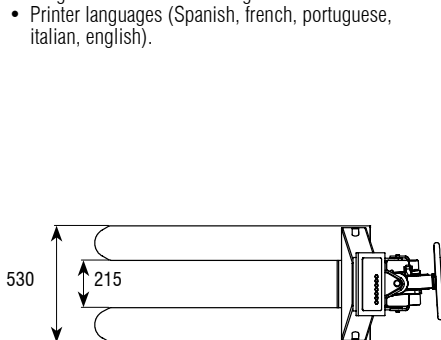
- Weight tare digital indicator
- Stainless steel housing.
- IP54 or IP65 protection.
- Backlight LCD display. With digits of 40 mm.
- Wall support included.
- Li-ion rechargeable battery 7,4V/2,6 Ah
- Power supply 230Vac.
- 2 output RS232 are included.
- Unique range, multi-range or multi-interval.
- Units: kg.
- Approval 6.000 divisions OIML class III and IV.
- EC approval.

**FUNCTIONS:**

- Weight accumulation: automatic / manual
- Totalization on screen
- Gross / Net
- Manual tare and pretare
- Back to zero
- Piece counting function
- Checkweigher with LCD signal
- Function division 1/10 verification. Display for a few seconds.

**PRINTING:**

- Programmer of three headings
- Printer languages (Spanish, french, portuguese, italian, english).



Certifications	
ENAC	
Code #	€
900004	
900004	
900004	
900004	

Code #	Description	Readout (kg)	Capacity (kg)	Printer	Packing dimensions (mm)	Packing weight (kg)
290005	Stainless steel TP410i with GI410i LCD indicator	0,2/0,5	1000/2000		1600x600x1400	118
290006 <b>M</b>	Stainless steel TP410i with GI410i LCD indicator	0,5/1	1000/2000		1600x600x1400	118
290007	Stainless steel TP410i with GI410i LCD indicator	0,2/0,5	1000/2000	•	1600x600x1400	118
290008 <b>M</b>	Stainless steel TP410i with GI410i LCD indicator	0,5/1	1000/2000	•	1600x600x1400	118
Code #	Accessories					
220021	Wifi communication board for TP410					
220008	Additional memory ALIBI/DSD					